

**Ball socket:**

Zinc base alloy with rubber dust seal

**Ball stud:**

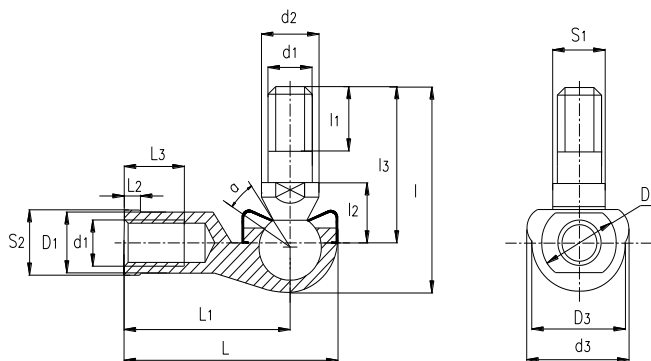
Free-cutting carbon steel

**Sliding contact surface:**

Steel/zinc alloy, requiring maintenance

球头座: 锌合金带橡胶密封

球头螺栓: 碳钢



Bearing No.	Dimensions millimeters																	Load	Weight
型号	尺寸 mm																	静负荷	重量
	d1	d2	d3	l	l1	l2	l3	S1	L	L1	L2	L3	D1	D2	D3	S2	α	stat.	
	6g/6H				min							min						KN	≈kg
SQ 5 RS	M5	9	19	29	8	10	21	7	35	27	4	14	9	11	16	9	25	2.2	0.026
SQ 6 RS	M6	10	20	35.5	11	11	26	8	40	30	5	14	10	13	19	11	25	3.5	0.039
SQ 8 RS	M8	12	24	42.5	12	14	31	10	48	36	5	17	12.5	16	23	14	25	6.6	0.068
SQ 10 RS	M10×1.25	14	30	50.5	15	17	37	11	57	43	6.5	21	15	19	27	17	25	10	0.112
SQ 12 RS	M12×1.25	17	32	57.5	17	19	42	15	66	50	6.5	25	17.5	22	31	19	25	16	0.164
SQ 14 RS	M14×1.5	19	38	73.5	22	21.5	56	17	75	57	8	26	20	25	35	22	25	19	0.254
SQ 16 RS	M16×1.5	22	44	79.5	23	23.5	60	19	84	64	8	32	22	27	39	22	20	26	0.336
SQ 18 RS	M18×1.5	23	45	90	25	26.5	68	20	93	71	10	34	25	31	44	27	20	33	0.464
SQ 20 RS	M20×1.5	27	50	90	25	27	68	24	99	77	10	35	27.5	34	44	30	20	45	0.538
SQ 22 RS	M22×1.5	27	52	95	26	28	70	24	109	84	12	41	30	37	50	32	16	48	0.713

Thread: for a left hand thread, add L (example: SQL..)

螺纹:对左螺纹, 加 L (例如: SQL..)