

Ball socket:

Free-cutting carbon steel, zinc plated

Ball stud:

Free-cutting carbon steel, hardened

Ring and clip:

Hard spring steel

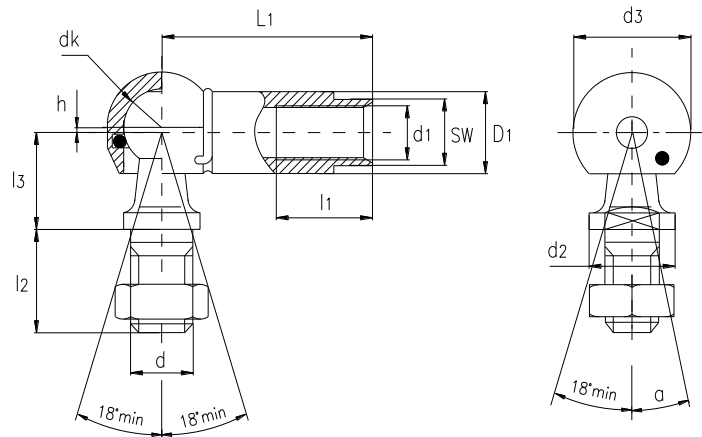
Sliding contact surface:

Steel/zinc alloy, requiring maintenance

球头座: 碳钢, 镀锌

球头螺栓: 碳钢, 淬火

夹圈: 弹簧钢



Bearing No.	Dimensions millimeters												Load	Weight
型号	尺寸 mm												静负荷	重量
	d,d1	d2	d3	dk	l1	l2	l3	L1	D1	h	SW	α	stat.	
	6g/6H				min								KN	≈kg
SQG 5	M5X0.8	8	12.8	8	10.2	10	9	22	8	0.65	7	10	2.2	0.015
SQG 6	M6X1	10	14.8	10	11.5	12.5	11	25	10	0.65	8	15	3.5	0.025
SQG 8	M8X1.25	13	19.3	13	14	16.5	13	30	13	1.15	11	15	6.6	0.053
SQG 10	M10X1.5	16	24	16	15.5	20	16	35	16	1.15	13	15	10	0.104
SQG 12	M12X1.75	16	24	16	15.5	20	16	35	16	1.15	13	15	16	0.15
SQG 14	M14X2	19	30	19	21.5	28	20	45	22	0.5	16	15	19	0.221
SQG 16	M16X2	19	30	19	21.5	28	20	45	22	0.5	16	15	26	0.221

Thread: for a left hand thread, add L (example: SQGL..)

螺纹: 对左螺纹, 加 L (例如: SQGL..)