

**Housing:**

Forged weldable steel

**Bearings:** mounted with GE..ES

**Greasing:**

$d \geq 15$ : fitted with hydraulic grease nipples

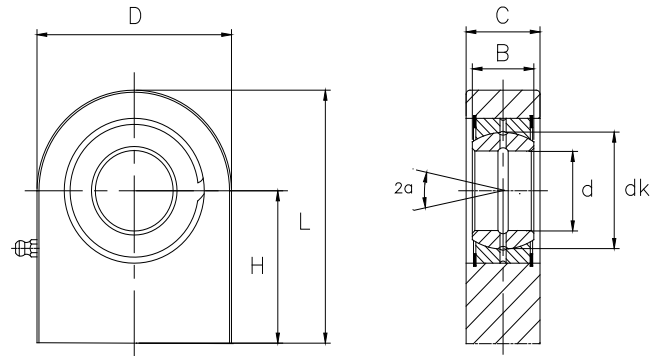
**Sliding contact surface:**

steel/steel, requiring maintenance

杆端体: 可焊接的钢, 精锻件

轴承: 装配 GE..ES 轴承

渗油:  $d \geq 15$ : 带油嘴



Bearing No. 型号	Dimensions millimeters 尺寸 mm							Load ratings 负荷		Weight 重量	
	d	B	C	D	H	L	dk	$\alpha$	dyn. C (KN)		stat. C <sub>0</sub> (KN)
			max								≈kg
SF 15 ES	15	12	16	45	31	53.5	22	8	17	53	0.22
SF 16 ES	16	14	17.5	48	35	59	25	10	21.2	59	0.29
SF 17 ES	17	14	17.5	48	35	59	25	10	21.2	65	0.29
SF 20 ES	20	16	19	50	38	63	29	9	30	67	0.36
SF 25 ES	25	20	23	55	45	72.5	35.5	7	48	69.5	0.53
SF 30 ES	30	22	28	65	51	83.5	40.7	6	62	118	0.85
SF 35 ES	35	25	30	83	61	102.5	47	6	80	196	1.5
SF 40 ES	40	28	35	100	69	119	53	7	100	305	2.48
SF 45 ES	45	32	40	110	77	132	60	7	127	386	3.45
SF 50 ES	50	35	40	123	88	149.5	66	6	156	441	4.45
SF 60 ES	60	44	50	140	100	170	80	6	245	570	7.13
SF 70 ES	70	49	55	164	115	197	92	6	315	724	10.7
SF 80 ES	80	55	60	180	141	231	105	6	400	804	15.1
SF 90 ES	90	60	65	226	150	263	115	5	490	1,340	23.4
SF 100 ES	100	70	70	250	170	295	130	7	610	1,516	33.1
SF 110 ES	110	70	80	295	185	332.5	140	6	655	2,340	48.5
SF 120 ES	120	85	90	360	210	390	160	6	950	3,210	79.5