

Outer ring:

Bearing steel, hardened, ground, phosphate treated

Inner ring:

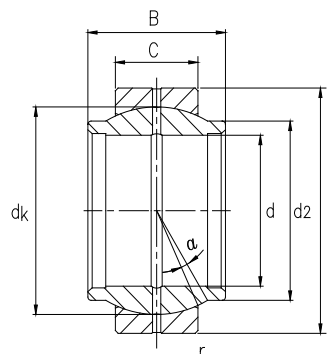
Bearing steel, hardened, ground, phosphate treated

Lubrication groove and hole:

d = 12: without lubrication groove and hole

Sliding contact surface:

Steel/steel, requiring maintenance



外圈: 轴承钢, 淬火, 磨加工, 磷化处理

内圈: 轴承钢, 淬火, 磨加工, 磷化处理

油槽与油孔: d = 12: 无油槽, 无油孔

Bearing No. 型号	Dimensions in millimeters 尺寸 mm								Load ratings 负荷		Weight 重量	
	d	D	B	C	dk	d2	r	α	dyn. C (KN)	stat. C ₀ (KN)	\approx kg	
GEEW 12 ES	12	+0.018	22 -0.009	12 -0.18	7 -0.24	18	15.5	0.3	4	10	54	0.022
GEEW 15 ES	15	+0.018	26 -0.009	15 -0.18	9 -0.24	22	18.5	0.3	5	16	84	0.031
GEEW 16 ES	16	+0.018	28 -0.009	16 -0.18	9 -0.24	23	20	0.3	4	17	88	0.035
GEEW 17 ES	17	+0.018	30 -0.009	17 -0.18	10 -0.24	25	21	0.3	7	21	106	0.044
GEEW 20 ES	20	+0.021	35 -0.011	20 -0.21	12 -0.24	29	25	0.3	4	30	146	0.071
GEEW 25 ES	25	+0.021	42 -0.011	25 -0.21	16 -0.24	35.5	30.5	0.6	4	48	240	0.131
GEEW 30 ES	30	+0.021	47 -0.011	30 -0.21	18 -0.24	40.7	34	0.6	4	62	310	0.168
GEEW 32 ES	32	+0.025	52 -0.013	32 -0.25	18 -0.3	43	37	1	4	67	335	0.182
GEEW 35 ES	35	+0.025	55 -0.013	35 -0.25	20 -0.3	47	40	1	4	79	399	0.253
GEEW 40 ES	40	+0.025	62 -0.013	40 -0.25	22 -0.3	53	46	1	4	99	495	0.338
GEEW 45 ES	45	+0.025	68 -0.013	45 -0.25	25 -0.3	60	52	1	4	127	637	0.481
GEEW 50 ES	50	+0.025	75 -0.013	50 -0.25	28 -0.3	66	57	1	4	156	780	0.558
GEEW 60 ES	60	+0.03	90 -0.015	60 -0.3	36 -0.4	80	68	1	4	245	1,220	1.15
GEEW 63 ES	63	+0.03	95 -0.015	63 -0.3	36 -0.4	83	71.5	1	4	255	1,270	1.25
GEEW 70 ES	70	+0.03	105 -0.015	70 -0.3	40 -0.4	92	78	1	4	315	1,560	1.71
GEEW 80 ES	80	+0.03	120 -0.015	80 -0.3	45 -0.4	105	91	1	4	400	2,000	2.39
GEEW 90 ES	90	+0.035	130 -0.018	90 -0.35	50 -0.5	115	99	1	4	490	2,450	3.21
GEEW 100 ES	100	+0.035	150 -0.018	100 -0.35	55 -0.5	130	113	1	4	610	3,050	4.79
GEEW 110 ES	110	+0.035	160 -0.025	110 -0.35	55 -0.5	140	124	1	4	655	3,250	5.78
GEEW 125 ES	125	+0.04	180 -0.025	125 -0.4	70 -0.5	160	138	1	4	950	4,750	8.49
GEEW 160 ES	160	+0.04	230 -0.03	160 -0.4	80 -0.6	200	177	1	4	1,360	6,800	16.5
GEEW 200 ES	200	+0.046	290 -0.035	200 -0.46	100 -0.7	250	221	1.1	4	2,120	10,600	32.1
GEEW 250 ES	250	+0.046	400 -0.04	250 -0.46	120 -0.8	350	317	1.1	4	3,750	17,800	99.1
GEEW 320 ES	320	+0.057	520 -0.05	320 -0.57	160 -1	450	405	1.1	4	6,200	30,500	225