

**Outer ring:**

Bearing steel with sliding material of PTFE

**Inner ring:**

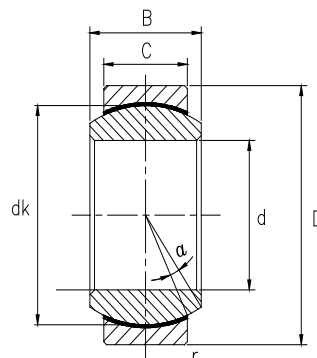
Bearing steel, hardened, ground, polished, chrome plated

**Sliding contact surface:**

Steel/PTFE, maintenance free

外圈: 轴承钢, 衬有 PTFE 自润滑材料

内圈: 轴承钢, 淬火, 磨加工, 抛光, 镀硬铬



| Bearing No.<br>型号 | Dimensions in millimeters<br>尺寸 mm |           |          |          |      |     |          | Load ratings<br>负荷 |                              | Weight<br>重量 |
|-------------------|------------------------------------|-----------|----------|----------|------|-----|----------|--------------------|------------------------------|--------------|
|                   | d                                  | D         | B        | C        | dk   | r   | $\alpha$ | dyn.<br>C (KN)     | stat.<br>C <sub>0</sub> (KN) | ≈kg          |
| GE 4 C            | 4 -0.008                           | 12 -0.008 | 5 -0.12  | 3 -0.24  | 8    | 0.3 | 16       | 2.1                | 5.4                          | 0.003        |
| GE 5 C            | 5 -0.008                           | 14 -0.008 | 6 -0.12  | 4 -0.24  | 10   | 0.3 | 13       | 3.6                | 9                            | 0.005        |
| GE 6 C            | 6 -0.008                           | 14 -0.008 | 6 -0.12  | 4 -0.24  | 10   | 0.3 | 13       | 3.6                | 9                            | 0.004        |
| GE 8 C            | 8 -0.008                           | 16 -0.008 | 8 -0.12  | 5 -0.24  | 13   | 0.3 | 15       | 5.8                | 14.6                         | 0.008        |
| GE 10 C           | 10 -0.008                          | 19 -0.009 | 9 -0.12  | 6 -0.24  | 16   | 0.3 | 12       | 8.6                | 21.6                         | 0.011        |
| GE 12 C           | 12 -0.008                          | 22 -0.009 | 10 -0.12 | 7 -0.24  | 18   | 0.3 | 11       | 11.5               | 28.5                         | 0.016        |
| GE 15 C           | 15 -0.008                          | 26 -0.009 | 12 -0.12 | 9 -0.24  | 22   | 0.3 | 8        | 17.5               | 44                           | 0.027        |
| GE 17 C           | 17 -0.008                          | 30 -0.009 | 14 -0.12 | 10 -0.24 | 25   | 0.3 | 10       | 22.5               | 56                           | 0.041        |
| GE 20 C           | 20 -0.01                           | 35 -0.011 | 16 -0.12 | 12 -0.24 | 29   | 0.3 | 9        | 31.5               | 78                           | 0.066        |
| GE 25 C           | 25 -0.01                           | 42 -0.011 | 20 -0.12 | 16 -0.24 | 35.5 | 0.6 | 7        | 51                 | 127                          | 0.119        |
| GE 30 C           | 30 -0.01                           | 47 -0.011 | 22 -0.12 | 18 -0.24 | 40.7 | 0.6 | 6        | 66                 | 166                          | 0.163        |