

Housing:

Free-cutting or forged carbon steel, Zinc plated

Insert:

Molded, lubricative reinforced nylon

Inner ring:

Bearing steel, hardened, ground, polished, chrome plated

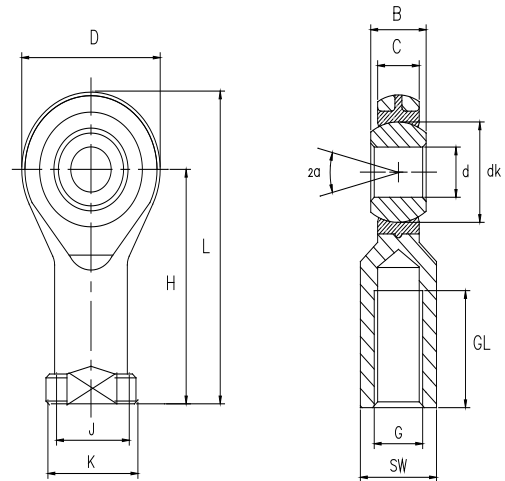
Sliding contact surface:

Steel/nylon, maintenance free

杆端体: 碳钢, 车制件或精锻件, 镀白锌

衬套: 浇铸自润滑加强尼龙

内圈: 轴承钢, 淬火, 磨加工, 抛光, 镀铬



Bearing No. 型号	Dimensions millimeters 尺寸 mm											Load ratings 负荷		Weight 重量		
	d	B	C	D	H	L	K	J	dk	SW	G	GL	α	dyn. C (KN)	stat. C ₀ (KN)	≈ kg
			max								6H	min				
SI 5 N	5	8	6	18	27	36	11	8.5	11.1	9	M5	10	13	3.3	6	0.016
SI 6 N	6	9	6.75	20	30	40	13	10	12.7	11	M6	12	13	4.3	7.5	0.025
SI 8 N	8	12	9	24	36	48	16	12.5	15.9	14	M8	16	14	7.1	13	0.046
SI 10 N	10	14	10.5	28	43	57	19	15	19	17	M10	20	13	10	18	0.076
SI 12 N	12	16	12	32	50	66	22	17.5	22.2	19	M12	22	13	13.5	23.5	0.1
SI 14 N	14	19	13.5	36	57	75	25	20	25.4	22	M14	25	16	17	24	0.16
SI 16 N	16	21	15	42	64	85	27	22	28.5	22	M16	28	15	21.5	31	0.22
SI 18 N	18	23	16.5	44	71	93	31	25	31.7	27	M18x1.5	32	15	26	38.5	0.32
SI 20 N	20	25	18	50	77	102	34	27.5	34.9	30	M20x1.5	33	14	31	42.5	0.42
SI 22 N	22	28	20	54	84	111	38	30	38.1	32	M22x1.5	37	15	42	53	0.54
SI 25 N	25	31	22	60	94	124	42	33.5	42.9	36	M24x2	42	15	53	68	0.75
SI 28 N	28	35	25	66	103	136	46	37	47.6	41	M27x2	48	15	59	86	0.98
SI 30 N	30	37	25	70	110	145	50	40	50.8	41	M30x2	51	17	70	88	1.13

Female thread: for a left hand thread, add L (example: SIL..N)

内螺纹: 对左螺纹, 加 L (例如: SIL..N)