

**Housing:**

Free-cutting or forged carbon steel, Zinc plated

**Insert:** free-cutting steel with PTFE

**Inner ring:**

Bearing steel, hardened, ground, polished, chrome plated

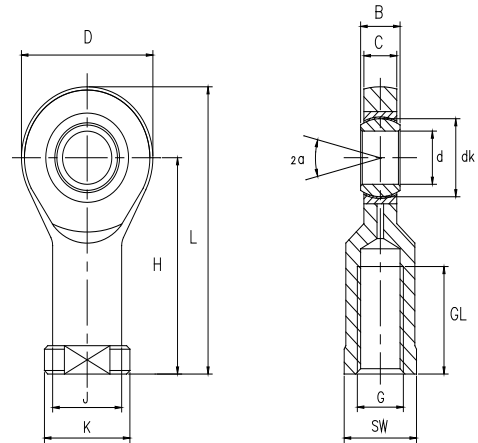
**Sliding contact surface:**

Steel/PTFE, maintenance free

**杆端体:** 碳钢, 车制件或精锻件, 镀白锌

**衬套:** 钢衬, PTFE自润滑

**内圈:** 轴承钢, 淬火, 磨加工, 抛光或镀铬



Bearing No.		Dimensions millimeters											Load ratings		Weight	
型号		尺寸 mm											负荷		重量	
	d	B	C	D	H	L	K	J	dk	SW	G	GL	α	dyn.	stat.	
			max								6H	min		C (KN)	C <sub>0</sub> (KN)	≈kg
SI 5 C	5	6	4.4	21	30	40	13	10	10	11	M5	11	13	3.6	8.1	0.021
SI 6 C	6	6	4.4	21	30	40	13	10	10	11	M6	11	13	3.6	8.1	0.021
SI 8 C	8	8	6	24	36	48	16	12.5	13	14	M8	15	15	5.8	12.9	0.038
SI 10 C	10	9	7	28	43	57	19	15	16	17	M10	20	12	8.6	17.6	0.06
SI 12 C	12	10	8	34	50	67	22	17.5	18	19	M12	22	11	11	24.5	0.096
SI 15 C	15	12	10	40	61	81	26	21	22	22	M14	29	8	18	36	0.18
SI 17 C	17	14	11	46	67	90	30	24	25	27	M16	33	10	22	45	0.22
SI 20 C	20	16	13	53	77	104	35	27.5	29	32	M20×1.5	38	9	31	60	0.35
SI 25 C	25	20	17	64	94	126	42	33.5	35.5	36	M24×2	48	7	51	83	0.64
SI 30 C	30	22	19	73	110	147	50	40	40.7	41	M30×2	56	6	65	110	0.93

Female thread: for a left hand thread, add L (example: SIL..C)

内螺纹:对左螺纹, 加 L (例如: SIL..C)