

Outer ring:

Bearing steel, hardened, ground, phosphate treated,
with sealed from both sides

Inner ring:

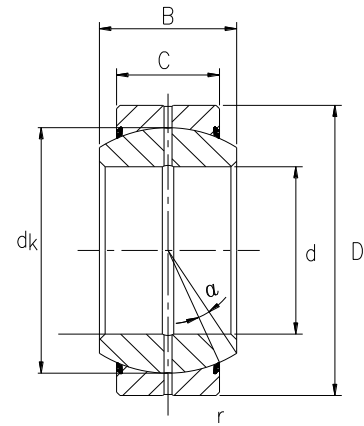
Bearing steel, hardened, ground, phosphate treated

Sliding contact surface:

Steel/steel, requiring maintenance

外圈: 轴承钢, 淬火, 磨加工, 磷化处理,
两面带密封圈

内圈: 轴承钢, 淬火, 磨加工, 磷化处理



Bearing No. 型号	Dimensions in inches 尺寸 inch							Load ratings 负荷	Weight 重量
	d	D	C	B	dk	r	α	stat. C ₀ (Lbf)	≈Lbs
GEZ 19 ES 2RS	.7500-.0005	1.2500-.0005	.656-.005	.562-.010	1.080	.024	6	21,356	.117
GEZ 22 ES 2RS	.8750-.0005	1.4375-.0005	.765-.005	.656-.010	1.259	.024	6	28,550	.187
GEZ 25 ES 2RS	1.0000-.0005	1.6250-.0005	.875-.005	.750-.010	1.395	.024	6	37,317	.267
GEZ 31 ES 2RS	1.2500-.0005	2.0000-.0005	1.093-.005	.937-.012	1.790	.024	6	58,448	.512
GEZ 34 ES 2RS	1.3750-.0005	2.1875-.0005	1.187-.005	1.031-.012	1.925	.039	6	69,688	.773
GEZ 38 ES 2RS	1.5000-.0005	2.4375-.0005	1.312-.005	1.125-.012	2.086	.039	6	84,300	.930
GEZ 44 ES 2RS	1.7500-.0005	2.8125-.0005	1.531-.005	1.312-.012	2.516	.039	6	114,648	1.413
GEZ 50 ES 2RS	2.0000-.0005	3.1875-.0006	1.750-.005	1.500-.012	2.874	.039	6	150,616	2.055
GEZ 57 ES 2RS	2.2500-.0006	3.5625-.0006	1.969-.006	1.687-.016	3.226	.039	6	191,080	2.932
GEZ 63 ES 2RS	2.5000-.0006	3.9375-.0006	2.187-.006	1.875-.016	3.621	.039	6	238,288	4.079
GEZ 69 ES 2RS	2.7500-.0006	4.3750-.0006	2.406-.006	2.062-.016	3.935	.039	6	281,000	5.335
GEZ 76 ES 2RS	3.0000-.0006	4.7500-.0007	2.625-.006	2.250-.020	4.309	.039	6	337,200	6.834
GEZ 82 ES 2RS	3.2500-.0008	5.1250-.0007	2.844-.008	2.437-.020	4.683	.039	6	395,648	8.422
GEZ 88 ES 2RS	3.5000-.0008	5.5000-.0007	3.062-.008	2.625-.020	5.037	.039	6	458,595	10.560
GEZ 95 ES 2RS	3.7500-.0008	5.8750-.0007	3.281-.008	2.812-.020	5.393	.039	6	530,528	12.743
GEZ 101 ES 2RS	4.0000-.0008	6.2500-.0010	3.500-.008	3.000-.020	5.748	.039	6	595,720	15.410
GEZ 108 ES 2RS	4.2500-.0008	6.6250-.0010	3.719-.008	3.187-.020	6.100	.039	6	674,700	18.541
GEZ 114 ES 2RS	4.5000-.0008	7.0000-.0010	3.937-.008	3.375-.020	6.476	.039	6	764,320	21.583
GEZ 120 ES 2RS	4.7500-.0010	7.3750-.0012	4.156-.008	3.562-.020	6.828	.039	6	843,400	25.353

