

Housing:

Free-cutting or forged carbon steel, Zinc plated

Insert:

Bronze inserted from both sides

Inner ring:

Bearing steel, hardened, ground, polished, chrome plated

Greasing:

Fitted with hydraulic grease nipples

Sliding contact surface:

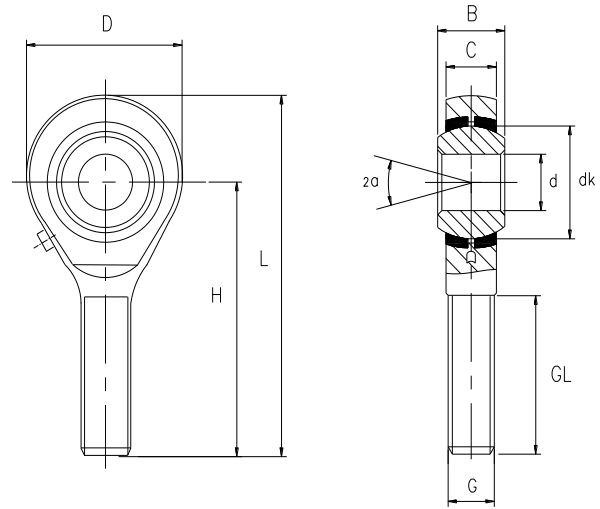
Steel/bronze, requiring maintenance

杆端体: 碳钢, 车制件或精锻件, 镀锌

衬套: 两面镶嵌入黄铜

内圈: 轴承钢, 淬火, 磨加工, 抛光, 镀硬铬

渗油: 带油嘴, 油润滑



Bearing No. 型号	Dimensions in inches 尺寸 inch										Load 负荷	Weight 重量	
	d	B	C	D	H	L	dk	G	GL	α			
	+0.015	+0.000	±0.005	±0.01	±0.031			Thread	+0.062		stat.	C. (Lbf)	≈Lbs
	-0.005	-0.005						UNF-3A	-0.031				
POSB 3	.1900	.312	.250	.625	1.250	1.56	.437	10-32	.750	13	850	.03	
POSB 4	.2500	.375	.281	.750	1.562	1.94	.515	1/4-28	1.000	16	1,480	.05	
POSB 5	.3125	.437	.344	.875	1.875	2.31	.625	5/16-24	1.250	14	1,900	.08	
POSB 6	.3750	.500	.406	1.000	1.938	2.44	.718	3/8-24	1.250	12	2,250	.12	
POSB 7	.4375	.562	.437	1.125	2.125	2.69	.812	7/16-20	1.375	14	2,920	.17	
POSB 8	.5000	.625	.500	1.312	2.438	3.09	.937	1/2-20	1.500	12	4,270	.26	
POSB 10	.6250	.750	.562	1.500	2.625	3.38	1.125	5/8-18	1.625	16	4,720	.40	
POSB 12	.7500	.875	.687	1.750	2.875	3.75	1.312	3/4-16	1.750	14	6,520	.64	
POSB 16	1.000	1.375	1.000	2.750	4.125	5.50	1.875	1 1/4-12	2.125	17	22,700	2.43	

Bearing No. 型号	Dimensions millimeters 尺寸 mm										Load 负荷	Weight 重量	
	d	B	C	D	H	L	dk	G	GL	α			
	+0.038	+0.00	±.13	±.25	±.79			Thread	+1.57		stat.	C. (KN)	≈kgs
	-.013	-.13						UNF-3A	-.79				
POSB 3	4.826	7.92	6.35	15.88	31.75	39.69	11.10	10-32	19.05	13	3.8	.013	
POSB 4	6.350	9.53	7.14	19.05	39.67	49.20	13.08	1/4-28	25.40	16	6.6	.022	
POSB 5	7.938	11.10	8.74	22.23	47.63	58.74	15.88	5/16-24	31.75	14	8.4	.037	
POSB 6	9.525	12.70	10.31	25.40	49.23	61.93	18.24	3/8-24	31.75	12	10	.055	
POSB 7	11.113	14.27	11.10	28.58	53.98	68.26	20.62	7/16-20	34.93	14	13	.078	
POSB 8	12.700	15.88	12.70	33.32	61.93	78.59	23.80	1/2-20	38.10	12	19	.12	
POSB 10	15.875	19.05	14.27	38.10	66.68	85.73	28.58	5/8-18	41.28	16	21	.18	
POSB 12	19.050	22.23	17.45	44.45	73.03	95.25	33.32	3/4-16	44.45	14	29	.29	
POSB 16	25.400	34.93	25.40	69.85	104.78	139.70	47.63	1 1/4-12	53.98	17	101	1.1	

Male thread: for a left hand thread, add L (example: POSB..L)

外螺纹:对左螺纹, 加 L (例如: POSB..L)

