

**Rod ends body:**

Free-cutting carbon steel, Zinc plated

**Insert:**

Molded, maintenance free, reinforced Nylon

**Inner ring:**

Bearing steel, hardened, ground, polished, chrome plated

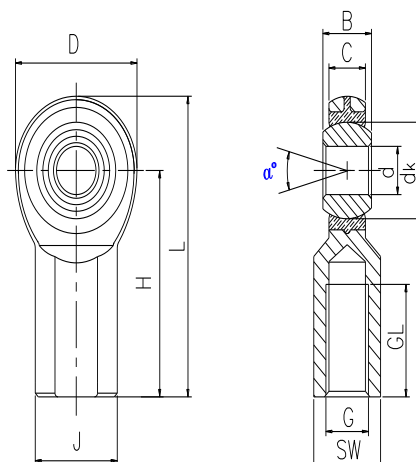
**Sliding contact surface:**

Steel/nylon, maintenance free

杆端体: 碳钢, 车制件, 镀白锌

镶嵌: 浇铸自润滑加强尼龙

内圈: 轴承钢, 淬火, 磨加工, 抛光, 镀硬铬



Bearing No.	Dimensions in inches											Load	Weight	
型号	尺寸 inch											负荷	重量	
	d	B	C	D	H	L	J	dk	SW	G	GL	$\alpha$	stat.	
	+0.0020	±.005		±.015	±.060		±.015		±.015	Thread	±.062		C <sub>o</sub> (Lbf)	≈Lbs
	-.0000									UNF-2B				
SIZ 3N	.1900	.312	.250	.625	1.062	1.375	.406	.437	.312	10-32	.562	13	1,210	.036
SIZ 4N	.2500	.375	.281	.750	1.312	1.687	.469	.500	.375	1/4-28	.750	16	2,470	.059
SIZ 5N	.3125	.437	.344	.875	1.375	1.813	.500	.625	.437	5/16-24	.750	14	2,740	.077
SIZ 6N	.3750	.500	.406	1.000	1.625	2.125	.687	.719	.562	3/8-24	.937	12	4,100	.146
SIZ 7N	.4375	.562	.437	1.125	1.812	2.375	.750	.812	.625	7/16-20	1.062	14	5,350	.192
SIZ 8N	.5000	.625	.500	1.312	2.125	2.781	.875	.937	.750	1/2-20	1.187	12	6,430	.313
SIZ 10N	.6250	.750	.562	1.500	2.500	3.25	1.000	1.125	.875	5/8-18	1.500	16	8,300	.464
SIZ 12N	.7500	.875	.687	1.750	2.875	3.75	1.125	1.312	1.000	3/4-16	1.750	14	10,900	.672

Bearing No.	Dimensions millimeters											Load	Weight	
型号	尺寸 mm											负荷	重量	
	d	B	C	D	H	L	J	dk	SW	G	GL	$\alpha$	stat.	
	+0.05	±.13		±.38	±1.52		±.38		±.38	Thread	±1.57		C <sub>o</sub> (KN)	≈kg
	-.00									UNF-2B				
SIZ 3N	4.826	7.92	6.35	15.88	26.97	34.91	10.31	11.10	7.92	10-32	14.27	13	5.4	.016
SIZ 4N	6.350	9.53	7.14	19.05	33.32	42.85	11.91	12.70	9.53	1/4-28	19.05	16	11.0	.026
SIZ 5N	7.938	11.10	8.74	22.23	34.93	46.05	12.70	15.88	11.10	5/16-24	19.05	14	12.2	.034
SIZ 6N	9.525	12.70	10.31	25.40	41.28	53.98	17.45	18.26	14.27	3/8-24	23.80	12	18.2	.066
SIZ 7N	11.113	14.27	11.10	28.58	46.02	60.31	19.05	20.62	15.88	7/16-20	26.97	14	23.8	.087
SIZ 8N	12.700	15.88	12.70	33.32	53.98	70.64	22.23	23.80	19.05	1/2-20	30.15	12	28.6	.142
SIZ 10N	15.875	19.05	14.27	38.10	63.50	82.55	25.40	28.58	22.23	5/8-18	38.10	16	36.9	.211
SIZ 12N	19.050	22.23	17.45	44.45	73.03	95.26	28.58	33.32	25.40	3/4-16	44.45	14	48.5	.305

Female thread: for a left hand thread, add L (example: SIZL..N)

内螺纹: 对左螺纹, 加 L (例如: SIZL..N)

