

Housing:

Free-cutting or forged carbon steel, Zinc plated

Insert: free-cutting steel with PTFE

Inner ring:

Bearing steel, hardened, ground, polished, chrome plated

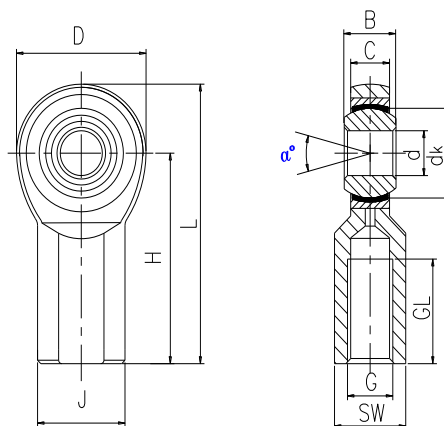
Sliding contact surface:

Steel/PTFE, maintenance free

杆端体: 碳钢, 车制件或精锻件, 镀白锌

衬套: 钢衬, PTFE自润滑

内圈: 轴承钢, 淬火, 磨加工, 抛光或镀铬



Bearing No.		Dimensions in inches											Load	Weight
型号		尺寸 inch											负荷	重量
	d	B	C	D	H	L	J	dk	SW	G	GL	α	stat.	
	+0.015 -0.005	+0.000 -0.005	±0.005	±0.010	±0.015		±0.010		±0.010	Thread UNF-2B	+0.062 -0.031		C ₀ (Lbf)	≈Lbs
SIZ 3T	.1900	.312	.250	.625	1.062	1.375	.406	.437	.312	10-32	.562	13	1,531	.038
SIZ 4T	.2500	.375	.281	.750	1.312	1.687	.469	.500	.375	1/4-28	.750	16	2,539	.059
SIZ 5T	.3125	.437	.344	.875	1.375	1.813	.500	.625	.437	5/16-24	.750	14	3,133	.092
SIZ 6T	.3750	.500	.406	1.000	1.625	2.125	.687	.719	.562	3/8-24	.937	12	3,915	.152
SIZ 7T	.4375	.562	.437	1.125	1.812	2.375	.750	.812	.625	7/16-20	1.062	14	4,218	.198
SIZ 8T	.5000	.625	.500	1.312	2.125	2.781	.875	.937	.750	1/2-20	1.187	12	6,660	.329
SIZ 10T	.6250	.750	.562	1.500	2.500	3.25	1.000	1.125	.875	5/8-18	1.500	16	7,364	.477
SIZ 12T	.7500	.875	.687	1.750	2.875	3.75	1.125	1.312	1.000	3/4-16	1.750	14	11,518	.723
SIZ 16T	1.000	1.375	1.000	2.750	4.125	5.5	1.625	1.875	1.500	1 1/4-12	2.125	17	40,889	2.125

Bearing No.		Dimensions millimeters											Load	Weight
型号		尺寸 mm											负荷	重量
	d	B	C	D	H	L	J	dk	SW	G	GL	α	stat.	
	+0.038 -0.013	+0.00 -0.13	±0.13	±0.25	±0.38		±0.25		±0.25	Thread UNF-2B	+1.57 -0.79		C ₀ (KN)	≈kg
SIZ 3T	4.826	7.92	6.35	15.88	26.97	34.91	10.31	11.10	7.92	10-32	14.27	13	6.8	.017
SIZ 4T	6.350	9.53	7.14	19.05	33.32	42.85	11.91	12.70	9.53	1/4-28	19.05	16	11.3	.027
SIZ 5T	7.938	11.10	8.74	22.23	34.93	46.05	12.70	15.88	11.10	5/16-24	19.05	14	13.9	.042
SIZ 6T	9.525	12.70	10.31	25.40	41.28	53.98	17.45	18.26	14.27	3/8-24	23.80	12	17.4	.069
SIZ 7T	11.113	14.27	11.10	28.58	46.02	60.31	19.05	20.62	15.88	7/16-20	26.97	14	18.8	.090
SIZ 8T	12.700	15.88	12.70	33.32	53.98	70.64	22.23	23.80	19.05	1/2-20	30.15	12	29.6	.149
SIZ 10T	15.875	19.05	14.27	38.10	63.50	82.55	25.40	28.58	22.23	5/8-18	38.10	16	32.8	.216
SIZ 12T	19.050	22.23	17.45	44.45	73.03	95.26	28.58	33.32	25.40	3/4-16	44.45	14	51.2	.328
SIZ 16T	25.400	34.93	25.40	69.85	104.78	139.7	41.28	47.63	38.10	1 1/4-12	53.98	17	181.9	.964

Female thread: for a left hand thread, add L (example: SIZL..T)

内螺纹:对左螺纹, 加 L (例如: SIZL..T)

